

SAVE UP TO 80% ON YOUR LIGHT BILL

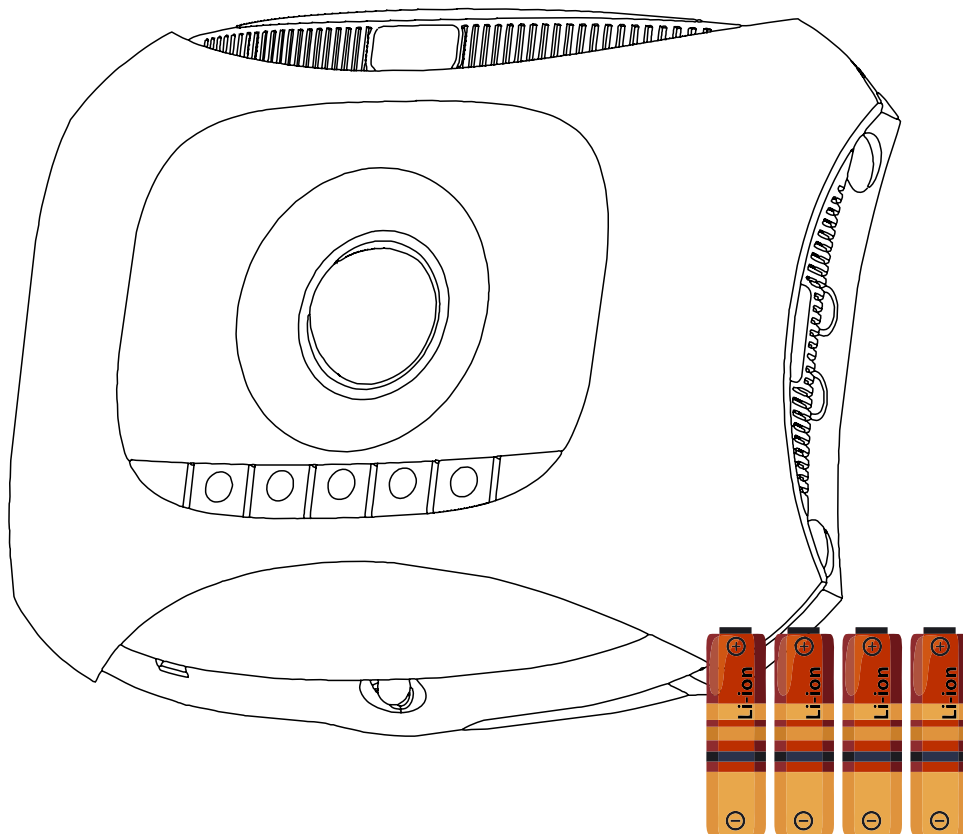


SAVEONAIRCO

Smart solutions for air conditioners

Occupancy Sensor «P3»

Turn off the air conditioner when no one is in the room



Works with 4x AA batteries
(Not included in the package)



ATTENTION

DEMO VERSION OF THE USER MANUAL.

FOR PRODUCT INSTALLATION REFER EXCLUSIVELY
TO THE MANUAL YOU WILL RECEIVE FOLLOWING THE PURCHASE, AS THIS VERSION
MAY NOT BE UPDATED OR COMPLETE.

www.saveonairco.com
visit the site for more information

ESSENTIAL NOTES



Before installing the SaveOnAirCo P3 Occupancy Sensor, carefully read the following instruction manual.

In case of need or doubts, and in any case always before starting to install the product, contact technical assistance, at the numbers indicated on the **saveonairco.com** website



IMPORTANT

The product must be installed according to the instructions in detail explained and illustrated in this user manual.



Any other installation method that deviates / is different from what is illustrated in this manual is to be considered **NON-COMPLIANT**, unless previously authorized by the manufacturer.

In case of **installation that does not comply** with what is indicated in this manual, the manufacturer reserves the right not to provide technical assistance, as long as a correct installation is restored.

In case of need or doubts, before starting to install the product, contact the technical assistance, at the numbers indicated on the website **saveonairco.com**

ELEMENTS

In addition to the P3 sensor itself and the screws and plugs to be used for wall mounting, the package includes other pieces to be used for assembly and installation.

Below we specify their names and their function, in order to make the editing of Occupancy Sensor P3 more immediate and clear.

Legend / Terminology



External IR transmitter cable

Cable that is used to extend the air conditioner IR signal, so that P3 is always able to communicate with the split.



PIR sensor cover

Cover to be applied to the P3 PIR eye in case interference is detected that does not allow proper operation.

SaveOnAirCo - «P3» Occupancy Sensor

SaveOnAirCo - Occupancy Sensor P3 - User Guide

*The **P3** occupancy sensor is a one-of-a-kind product with many smart features that will save you money and energy.*



Dear Customer,

Thank you for purchasing the **SaveOnAirCO P3 Occupancy Sensor**, the only one capable of turning off the air conditioner when it detects the absence of people in the room. This will allow you to save money in an intelligent way, without compromising the comfort of your guests.



IMPORTANT

Before starting to program P3, it is important to fully understand how the Occupancy Sensor works.

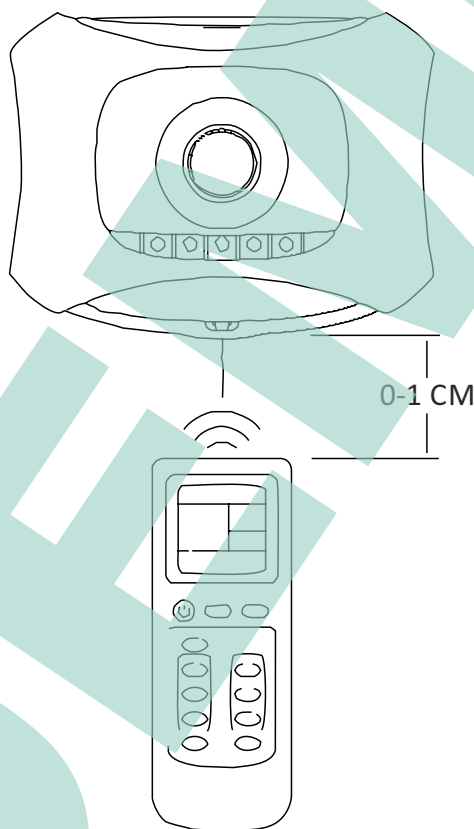
P3 will look around the room to see if there are any guests; when no presence is detected, and after a predetermined period of time has elapsed, it will send a shutdown signal to the air conditioning split.

Under no circumstances will P3 Occupancy Sensor restart the air conditioner; turning the air conditioner back on is the guest's responsibility.

When in active mode, as soon as the room becomes empty (and if the preset delay time has elapsed), P3 will again send a shutdown signal to the air conditioner (shut it down).

Step 1 - Copy the IR signal from your remote

- 1) Check that the batteries in the remote control are new or that they are in good condition (minimum 50% remaining charge)
- 2) Turn on the AC using the remote control.
- 3) Press and hold button 2 on P3 until the light on the left side comes on and stays on. This light will stay on for 10 seconds, during which time P3 Occupancy Sensor will remain in learning mode.
- 4) With P3 Occupancy Sensor in learning mode, hold the remote control in position as shown in the following image.



- 5) Hold the remote control in one hand, so that the transmitter eye at the end of the remote control just touches the P3 transmitter / eye number 1.
- 6) While holding the remote control in one hand, press the power button on the remote control with the other hand (as if you are turning off the AC).
- 7) The solid red light will flash three times and go out. This indicates that P3 Occupancy Sensor has copied the signal.

Step 2 - Testing the P3 Occupancy Sensor

To make sure P3 has successfully copied the shutdown signal from the original remote, run the following test:

- 1) Turn on the air conditioner.
- 2) Quickly press button 2 and you will see a red light emitting; this indicates that a signal has just been transmitted from P3.
- 3) Standing 1-2 meters away from the air conditioner, aim transmitter n. 2 towards the air conditioning unit and quickly press button number 2. The air conditioner (that is, the split) should emit a "beep" sound and turn off.
- 4) Now you can move around the room to test if P3 is able to control the air conditioner from various distances and places.

Step 3 - Choose where to install P3

First of all, never install P3 in direct sunlight, above or near a ceiling, or directly below or in the center of the air conditioner.

Choose a seat that offers:

- a) the best field of view for the PIR sensor, and
- b) ensure good connectivity to the air conditioner.

To help you identify the PIR sensor's field of view, the P3 is equipped with a light that indicates motion detection. This feature should only be used for testing during the configuration phase.

To activate and use the light that indicates movement, follow these instructions:

- 1) Press and hold button n. 5 until P3 flashes once. After about 30 seconds, move your hand over the PIR sensor and you will see a flashing red light on the P3.
- 2) Use double sided tape or ask someone to hold P3 in the desired position. If a person is holding P3, make sure that during the test she stands still and immobile.
- 3) With the P3 in place, move around the room and the red light of the PIR sensor will turn on to indicate that it is locating you.
- 4) The optimal field of vision in a room, under normal temperature conditions, is between 4 and 8 meters away.
- 5) When you have completed the test, press and hold button number 5 to turn off the notification light; the light on the front will flash 2 times and the PIR indicator will turn off.
- 6) NOTE: forgetting to turn off the light that indicates motion detection will drastically reduce battery life.

Option 1

Place P3 on the ceiling:

1) Quickly press button 5 until you see the light flash once.

P3 is now set to use transmitter number 1.

2) Hold the P3 against the ceiling in the desired position, making sure that transmitter no. 1 is facing the air conditioner.

3) Quickly press button number 2, and you should see a single light emitting from P3. The air conditioner should emit a “beep” and turn off.

Option 2

Place P3 on an adjacent wall:

1) Quickly press button 5 until you see the light flash twice.

P3 is now set to use transmitter number 2.

2) Hold the P3 against the wall in the desired position, making sure that transmitter no. 2 faces the air conditioner.

3) Quickly press button number 2, and you should see a single light emitting from P3. The air conditioner should emit a “beep” and turn off.

Option 3

Place the P3 directly beside the air conditioner using the supplied external IR transmitter cable:

1) Quickly press button 5 until you see the light flash three times.

P3 is now set to use the external IR transmitter cable.

2) Turn off the power to the air conditioner. Remove the air conditioner cover and locate the IR signal receiver. Depending on the make and model, the receiver may be located directly behind a car window.

3) Apply the double sided tape to the back of the transmitter head, then insert the transmitter near the air conditioner receiver.

4) Pass the cable on the back of the air conditioner to the side where you intend to insert it on the P3.

- 5) Put the air conditioner cover back in place, but don't tighten the screws yet!
- 6) Plug the external IR transmitter cable into the back of the P3.
- 7) Turn the power back on to the air conditioner and then turn it on.
- 8) Hold P3 against the wall, unlock the buttons and quickly press button number 2; you should see a single flash of the red light from P3, then the air conditioner should emit the "beep" and turn off.
- 9) After successfully completing the test, unplug the extension cable, complete the refitting of the air conditioner cover and reassemble the P3 on its wall mount, directly next to the air conditioner.

Step 4 - Choose your control settings

Control during the day is based on the identification of movement. If no movement is detected after a set period of time has elapsed, P3 will transmit a shutdown signal to the air conditioner.

To change the delay time, quickly click button 4:

- 1 light flash = 5 minutes (to be used mainly only during setup)
- 2 light flashes = 15 minutes
- 3 flashes of light = 30 minutes
- 4 light flashes = 1 hour

The control during the night can be adjusted using the built-in brightness sensor.

Use button 3 with a quick press to access the following options:

- 1 flash of light = 24/7. This option is designed for rooms where you don't sleep. P3 will control the air conditioner based solely on movement regardless of whether it is day or night.
- 2 light flashes = Comfort setting. In this mode, when P3 detects darkness, the delay time will be set to 2 hours. If motion is detected within 2 hours, the timer will be reset. If no movement is detected in 2 hours, P3 will send the shutdown signal to the air conditioner.
- 3 flashes of light = Night Mode. In this mode, as soon as P3 detects darkness, no shutdown signal will be sent to the air conditioner.

When using modes 2 or 3, the P3 will revert to day mode 2 hours after light is detected in the room again.

Additional information

If the P3 is fixed to the wall, we recommend using the cover for the PIR sensor, which is supplied. Using double-sided tape, apply the cover to the top of the PIR eye. This will prevent P3 from observing the ceiling, and will reduce the chances of false positives due to hot air circulation.

Low battery alarm

Depending on the settings used, P3's batteries can last an average of 3-5 years. To ensure uninterrupted control over the air conditioner, we recommend replacing the batteries every 3 years. A warning light will flash every 60 seconds to indicate that the remaining battery power is critical.

Technical support

For advice or assistance, please contact our support team through the channels made available on the website www.saveonairco.com

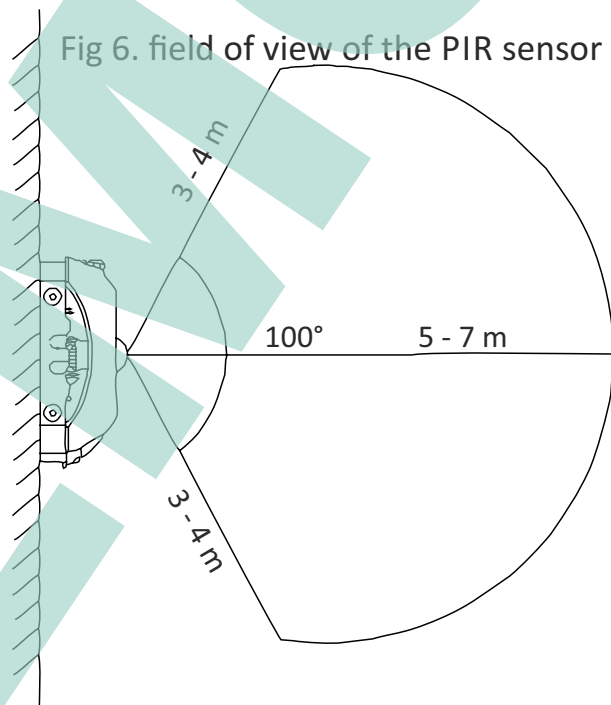
Mounting the cover for the PIR sensor

Included in the package you will find a plastic eyelet lid.

Remove the protection of the double-sided tape; place the eye cover over the top of the sensor dome so that the top half of the dome is covered by the cover. This will protect P3 from detecting possible movements of hot air from above, or of a possible ceiling fan.

Note: the distance may vary according to the ambient temperature, in relation to the temperature of the moving heat.

Fig 6. field of view of the PIR sensor



MADE IN CHINA



Distributed by MIMIR s.a.s.

Lucca - Italy

